



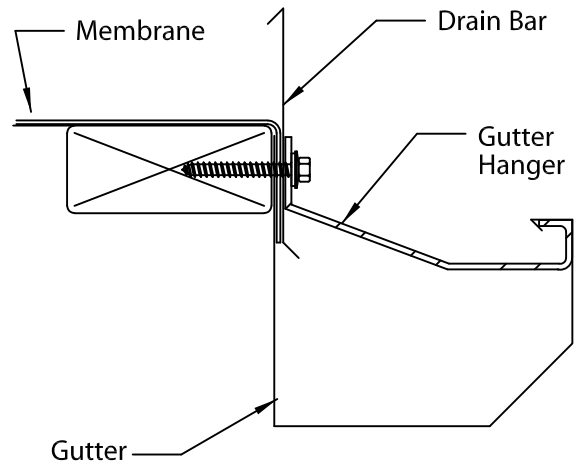
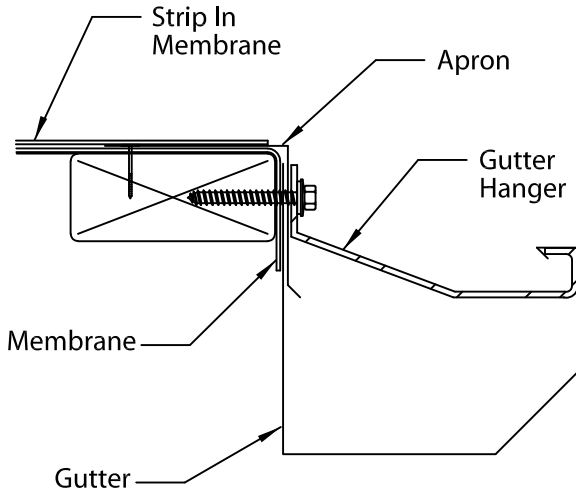
# TREMLOCK GUTTER

IG-1, IG-2 OR IG-B VERSION

## INSTALLATION INSTRUCTIONS

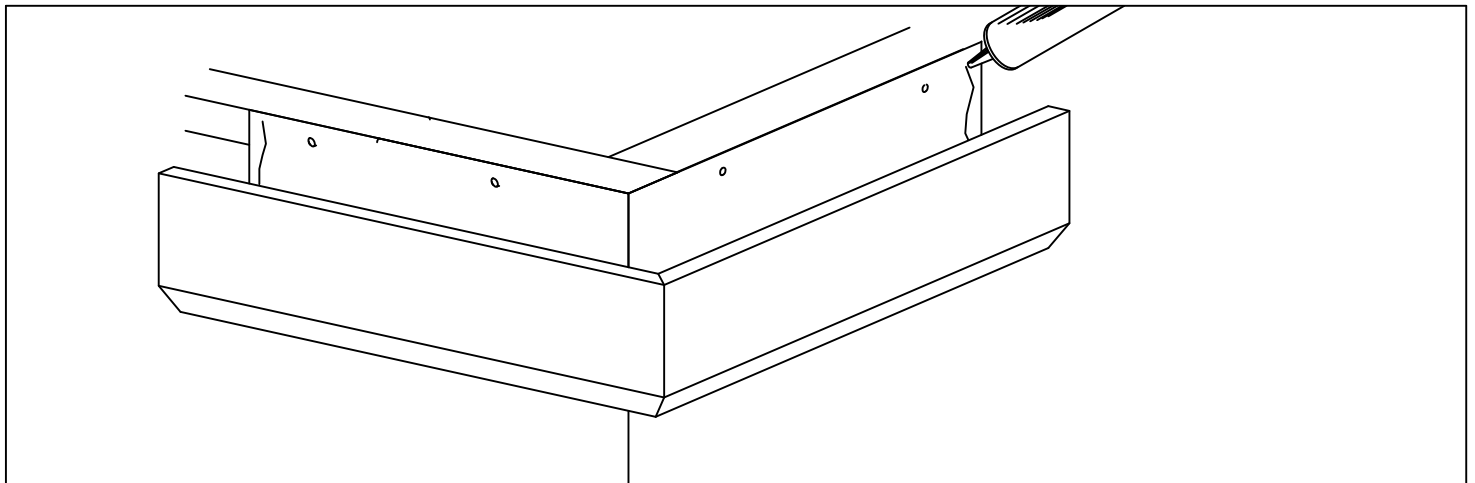
Note: Either Term. Bar, Gravel stop, or Drip edge must be used to receive <FM> approval.

### TYPICAL MEMBRANE OPTIONS



### STEP 1. MEMBRANE INSTALLATION

Review carefully and follow primary roof material manufacturer's recommendations, and architect's details for installing roof membranes in conjunction with this gutter system.



### STEP 2. MITER INSTALLATION

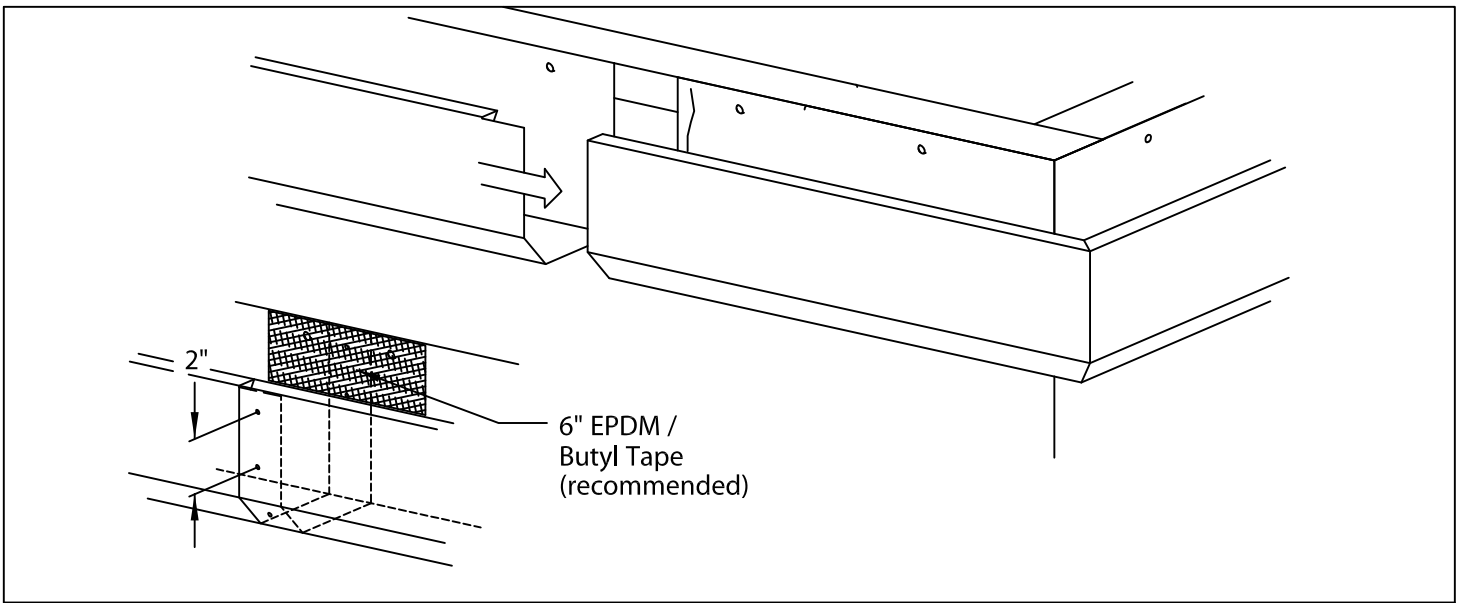
Install miter units at locations shown on plans. Fasten to nailer through pre-slotted holes @ 12" O.C. using provided 1 1/4" galvanized roofing nails. Apply a heavy bead of non-curing sealant to the inside of each miter end as shown.



# TREMLOCK GUTTER

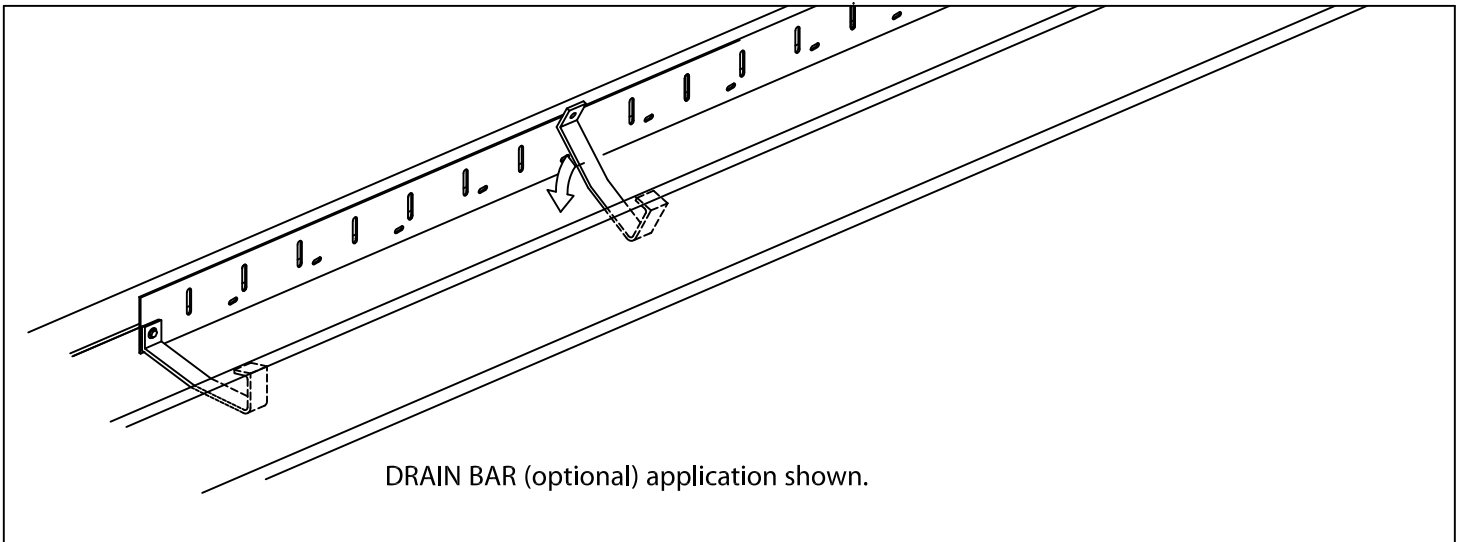
IG-1, IG-2 OR IG-B VERSION

## INSTALLATION INSTRUCTIONS



### STEP 3. GUTTER INSTALLATION

Install gutter sections from right to left as seen from roof. Insert notched end of gutter section into open end with applied sealant for a distance of 2". Rivet assembled sections at lap joint 2" o.c. using provided 1/8" stainless steel pop rivets. Field notch miter ends and/or expansion joints as required. Nail gutter sections to nailer at 12" O.C. using provided 1 1/4" galvanized roofing nails. Tremco recommends the application of a 6" wide EPDM / Butyl pressure sensitive tape centered over the lap joint.



DRAIN BAR (optional) application shown.

### STEP 4. HANGER INSTALLATION

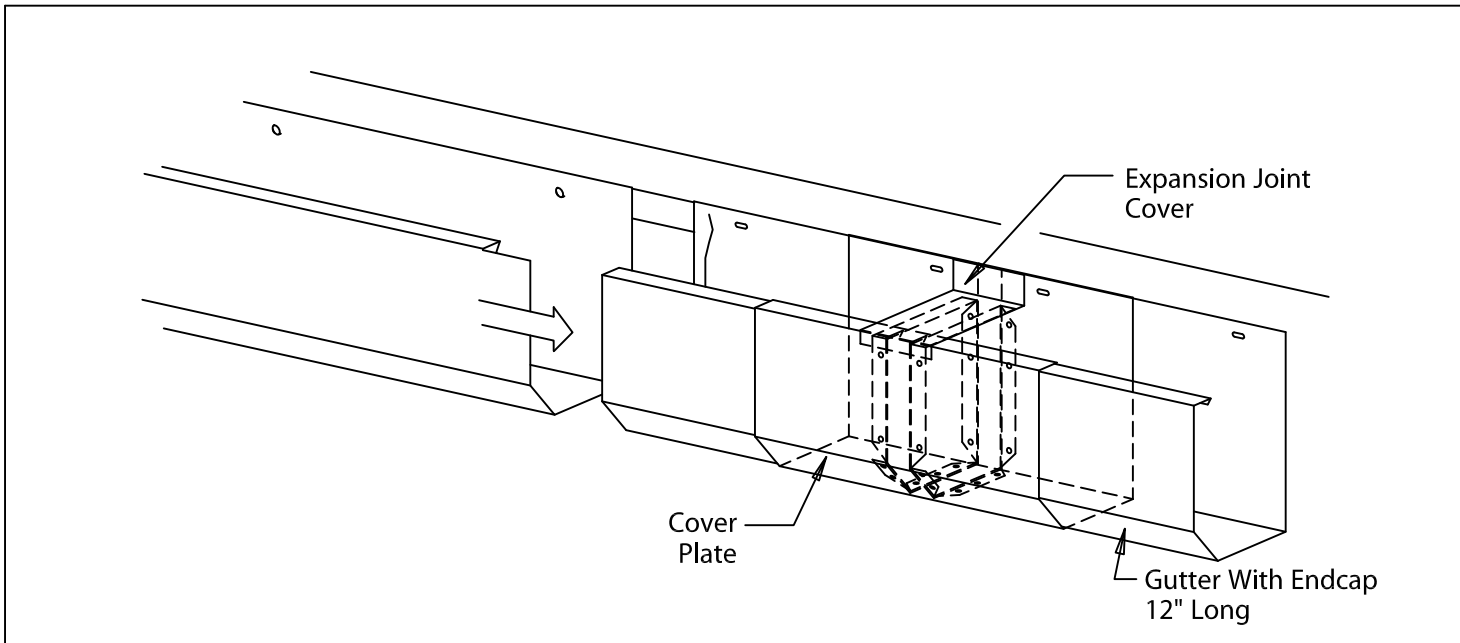
Hook hanger under leading edge of gutter and rotate into place. Fasten hanger @ 30" O.C. using a provided #10 x 2" stainless steel fasteners through back side of gutter into wood nailer.



# TREMLOCK GUTTER

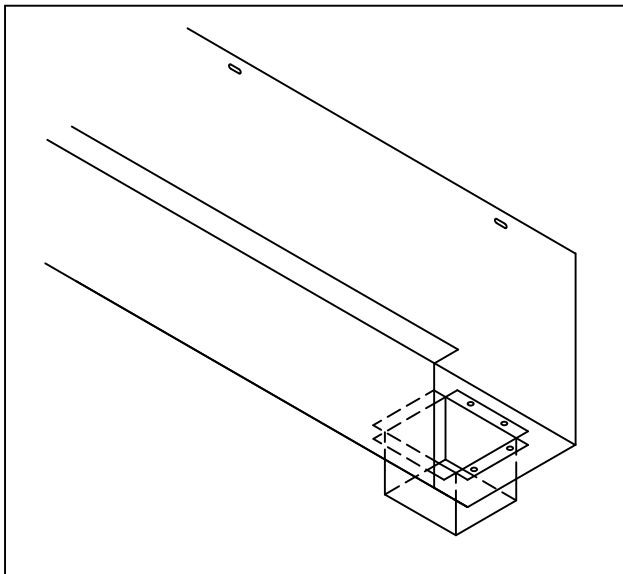
IG-1, IG-2 OR IG-B VERSION

INSTALLATION INSTRUCTIONS



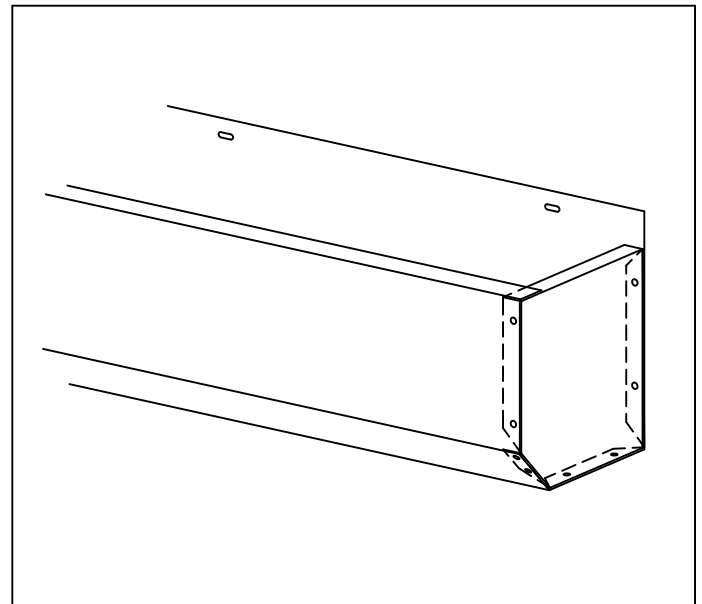
## STEP 5. EXPANSION JOINT INSTALLATION (WHERE NECESSARY)

Install expansion joints in locations as specified on roof plans or at a maximum of 48'-0". Nail into place as per Step #3.



## STEP 6. OUTLET INSTALLATION

Determine outlet locations and field cut hole in a neat workmanlike manner. Insert aluminum outlet, fasten with provided 1/8" stainless steel pop rivets, 2 rivets in each flange and seal, with non-curing sealant.



## STEP 7. END CAP INSTALLATION

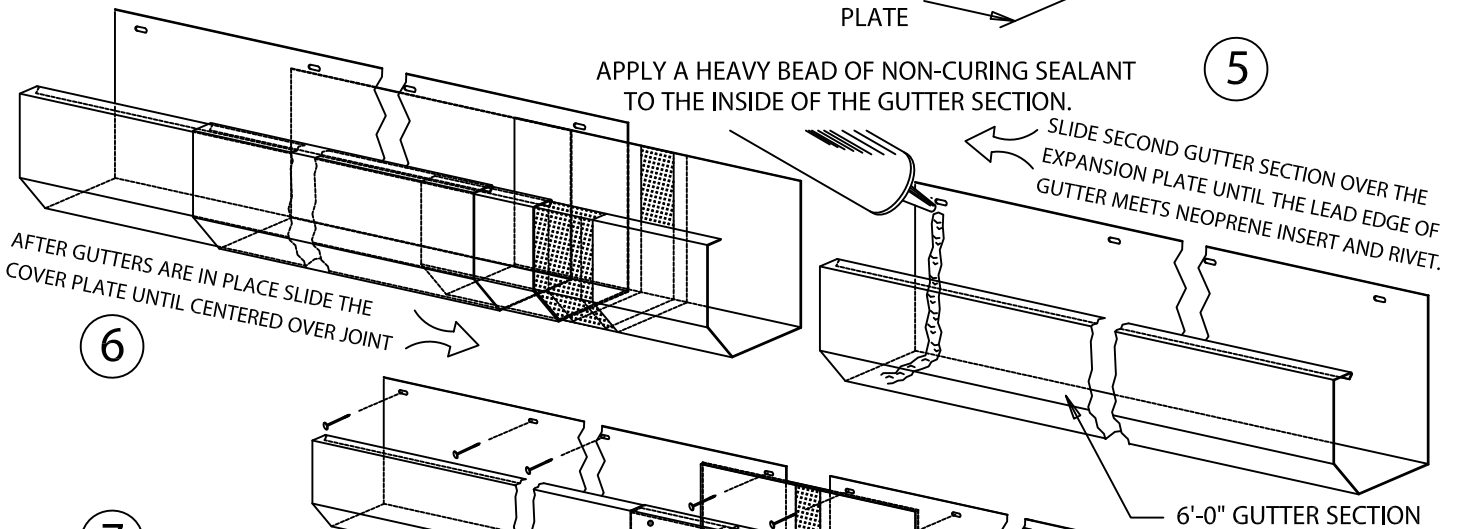
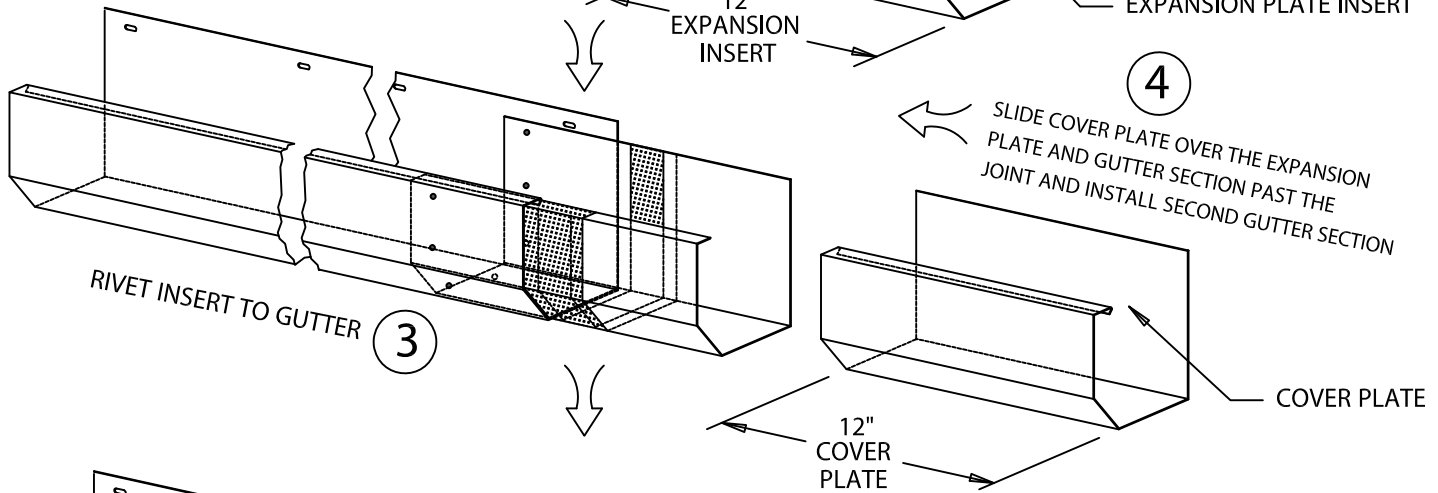
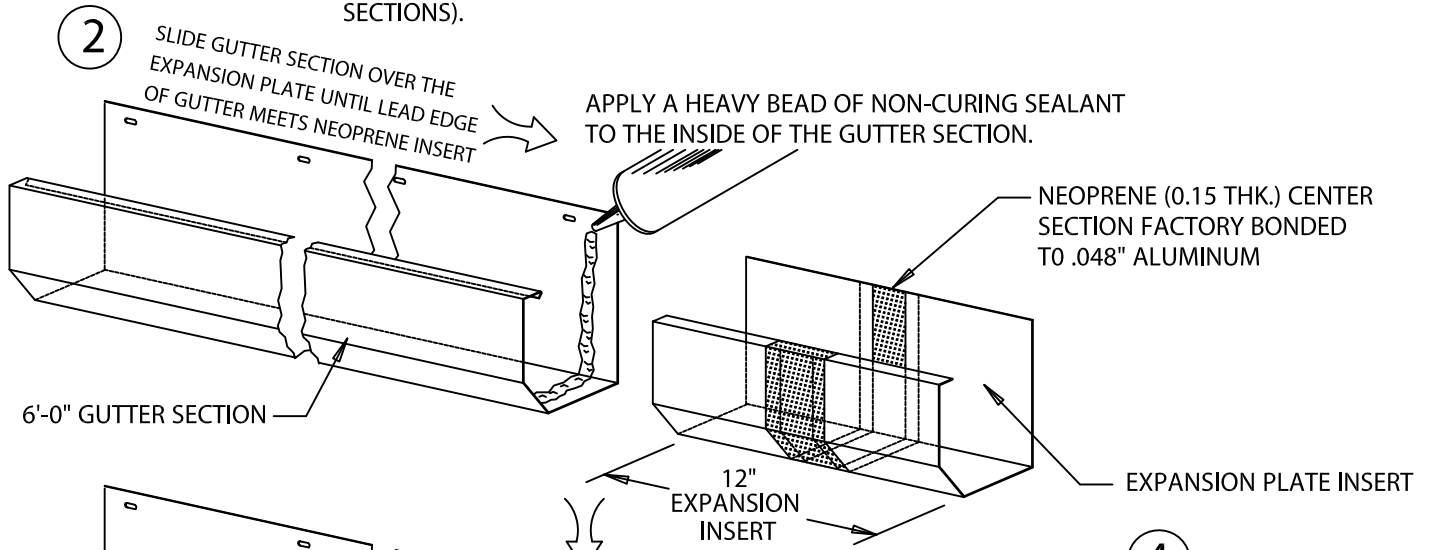
Install end caps at all terminations. Field rivet with provided 1/8" stainless steel pop rivets at 2" O.C. and seal, with non-curing sealant.

# TREMLOCK GUTTER

## STYLE 2 GUTTER EXPANSION JOINT

### INSTALLATION INSTRUCTIONS

1 CUT A 12'-0" SECTION OF THE GUTTER INTO (2) 6'-0" PIECES.  
(THE EXPANSION JOINT IS DESIGNED TO FIT BETWEEN THE (2) 6'-0" SECTIONS).



NOTE:  
THE COVER PLATE MAY BE POP RIVETED TO THE EXPANSION PLATE AND GUTTER. BUT ONLY ON ONE SIDE TO PERMIT EXPANSION.